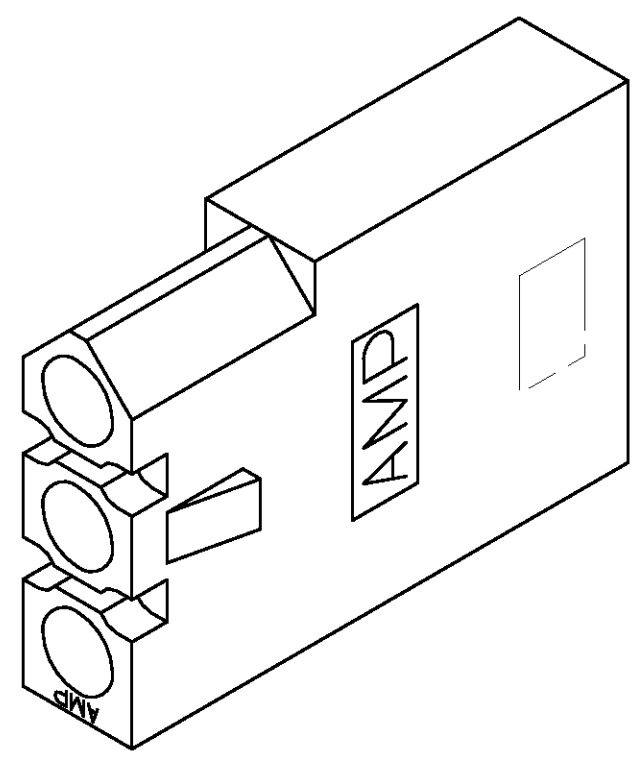
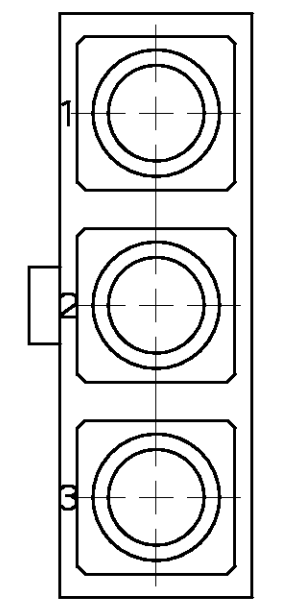
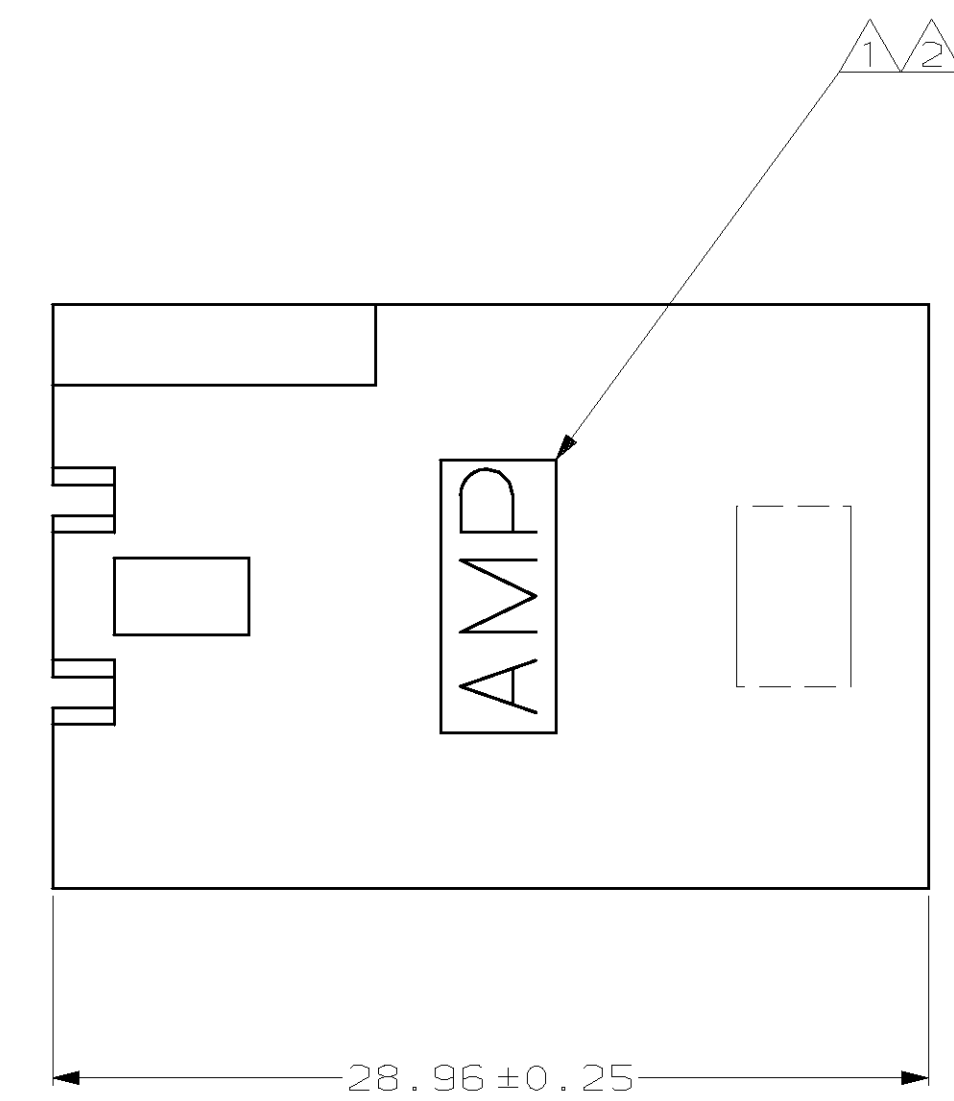
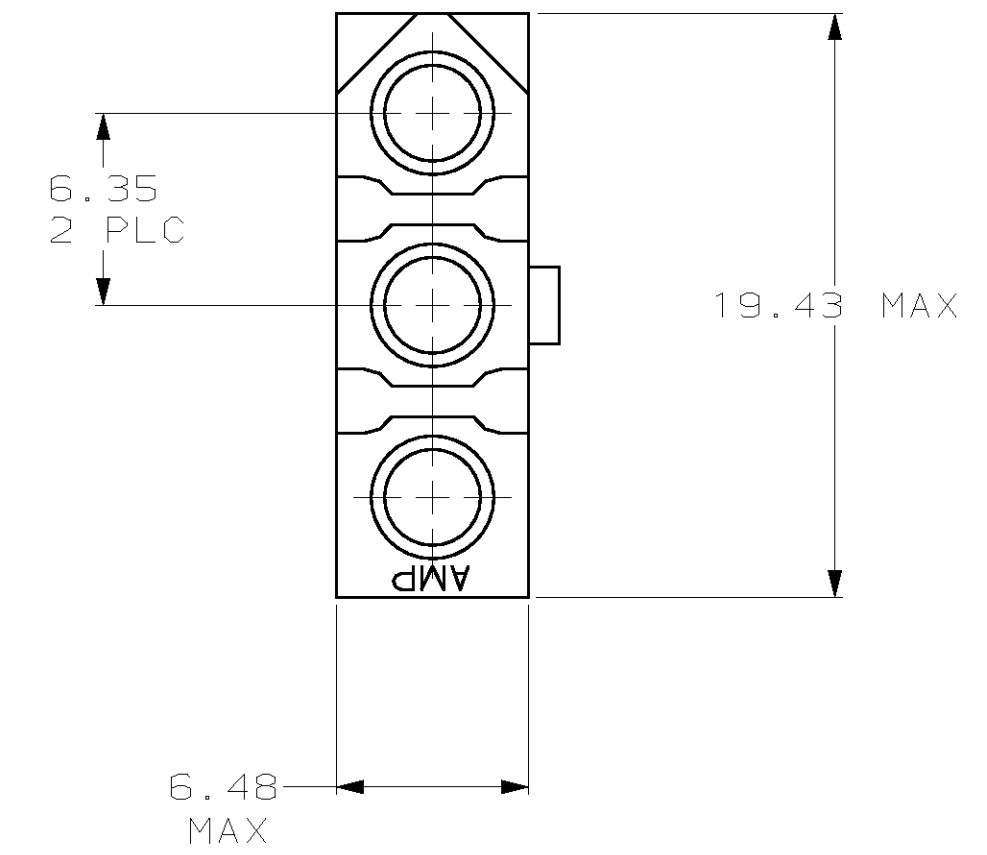
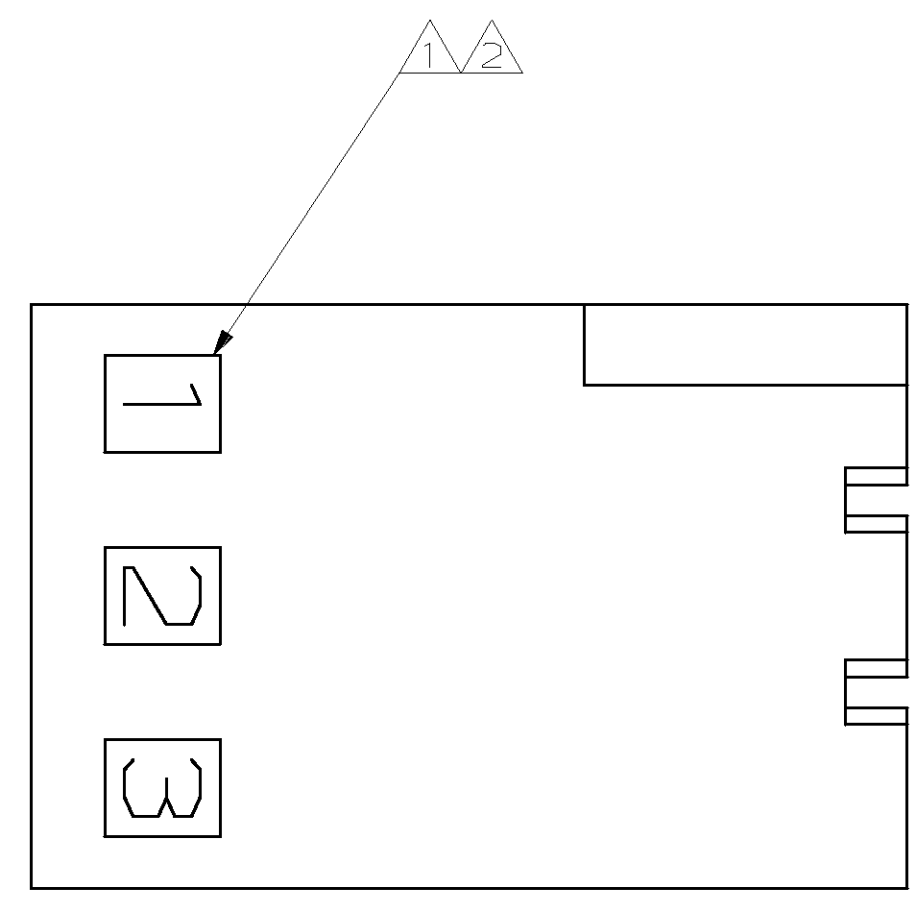


LOC	QTY	REV	DATE	BY	APPV
CM	53				

REVISIONS					
REV	DESCRIPTION	DATE	BY	APPV	
C	REV & REDWN PER EC OL30-0241-97	11-04-97	KW	RS	

① AMP LOGO AND CIRCUIT ID NUMBERS LOCATED ON THIS SURFACE.
 ② OPPOSITE SIDE OPTIONAL.



3-DIMENSIONAL MODEL
NTS

MM	IN
28.96	1.140
19.43	.765
6.48	.255
6.35	.250
0.25	.010
0.13	.005
MM	IN

CONVERSION TABLE

METRIC

770339-1
PART NUMBER

THIS DRAWING IS A CONTROLLED DOCUMENT.		DWN K. WHITAKER	11-04-97	AMP AMP Incorporated Harrisburg, PA 17105-3608
DIMENSIONS: mm		CHK R. SWING	11-04-97	
TOLERANCES UNLESS OTHERWISE SPECIFIED:		APVD K. CORLE	11-04-97	NAME RECEPTACLE, 3 CIRCUIT, .250 PIN AND SOCKET
MATERIAL: NYLON, UL 94V-2, NATURAL		PRODUCT SPEC		RESTRICTED TO
FINISH: -		APPLICATION SPEC		SIZE: A1
SCALE: 4:1		HEIGHT: -		DRAWING NO: 770339
CUSTOMER DRAWING		SCALE: 4:1	SHEET 1 OF 1	REV C